

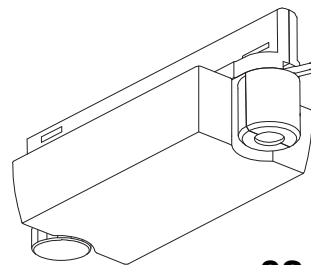
# · INSTALLATION INSTRUCTIONS ·

MultiCompactAdapter Standard  
with data bus option

# EUTRAC®

# 2~

2 Circuit ( 120V )  
Tracks and Adaptors  
[www.EUTRAC.com](http://www.EUTRAC.com)



**98-505-**

## INSTALLATION INSTRUCTION

- **READ ALL OF THESE INSTALLATION INSTRUCTIONS BEFORE INSTALLING THE EUTRAC TRACK SYSTEMS.**
- **SAVE THESE INSTRUCTIONS AND REFER TO THEM WHEN ADDITIONS TO OR CHANGES IN THE TRACK CONFIGURATION ARE MADE.**
- Track is only to be used with other electrical fittings identified for use with the EUTRAC track system 230/233 .
- To be installed by trained personnel only ( electricians ).
- The Installation and operation of this track system are subject to national safety regulations.  
The manufacturer is not liable for damage caused by improper use or installation.  
If any track system components is subsequently modified, the person responsible for the modification shall be considered as manufacturer.
- It is the responsibility of the installer to ensure the electrical, mechanical and thermal compatibility of the track system and the fittings.
- Materials used for ceiling fixation should conform to the relevant building regulations.
- It is essential to cover the ends of the track with end covers or protective caps.
- This track system is not intended for use with a power supply cord or convenience receptable adaptor.

## IMPORTANT SAFETY INSTRUCTIONS

- **READ ALL INSTRUCTIONS.**
- Do not install this track in damp or wet locations ( IP20 , 45°C max.).
- Do not install any part of a track system less 5 ft. above the floor.
- Do not install any fixture assembly closer than 6 in. from any curtain or similar combustible material.
- Disconnect electrical power before adding to or changing the configuration of the track.
- Do not attempt to energize anything other than lighting track fixtures on the track.  
In order to reduce the risk of fire and electrical shock, do not attempt to connect power tools, extension cords, appliances and the like to the track.
- ( For track lighting systems other than 120V, two circuit )  
Do not connect the track to more than the branch circuit unless the track is constructed so that it can be used with more than one branch circuit.  
Check with a qualified electrician. Although the track lighting system may seem to operate appropriately, a dangerous overload of the neutral may occur and result in a risk of fire.
- Do not slide light fixtures along track when re-locating.  
Always remove fixture/adaptor from track.  
Re-install in new location making sure to properly secured adaptor back in track.
- **SAVE THESE INSTRUCTIONS.**



07.09.2017

Page

1/5

# 427806

MT 6.077/1

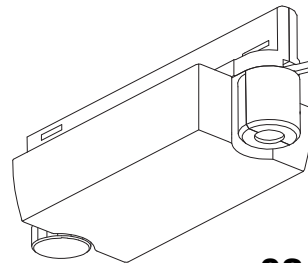
• INSTALLATION INSTRUCTIONS •

MultiCompactAdapter Standard  
with data bus option

**EUTRAC®**

**2~**

2 Circuit ( 120V )  
Tracks and Adaptors  
[www.EUTRAC.com](http://www.EUTRAC.com)

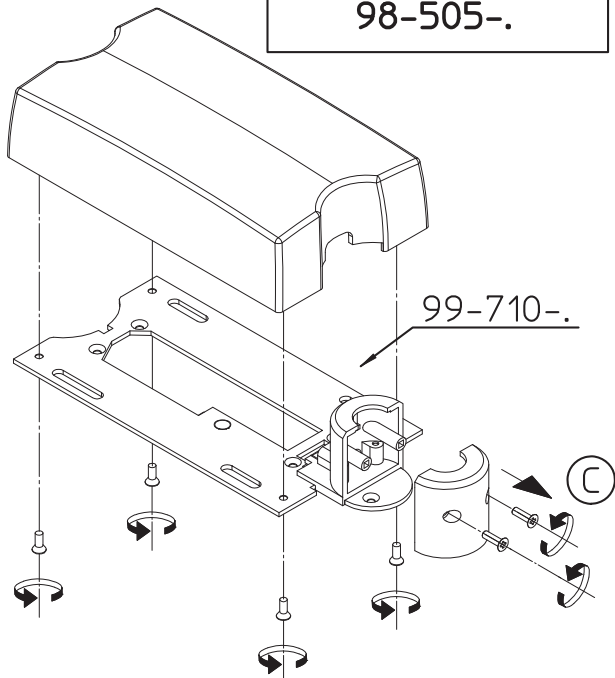


**98-505-.**

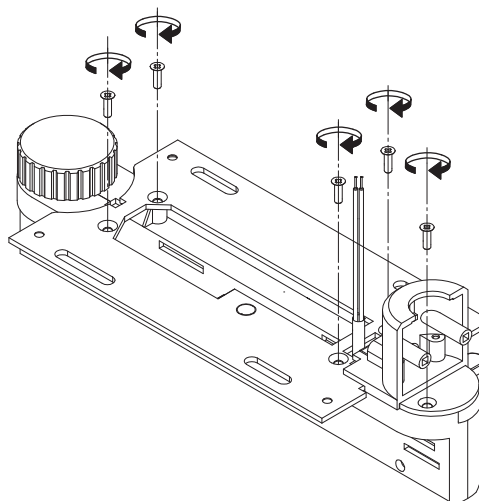
①

-Example: Multi-compact adaptor

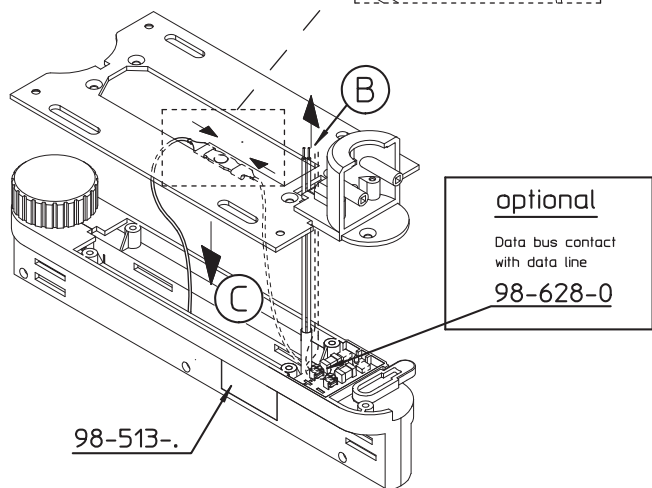
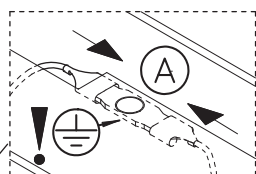
**98-505-.**



③

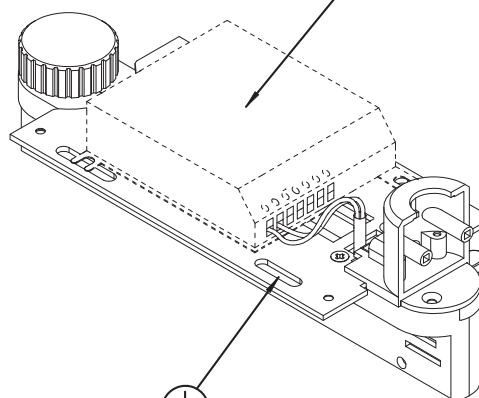


②



④

-Possible to install different electronic ballasts



optional ⚡  
-connection



TRACK LIGHTING FITTING  
44WB

07.09.2017

Page 2/5

# 427806

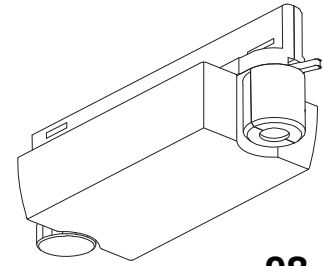
MT 6.077/1

• **INSTALLATION INSTRUCTIONS** •

MultiCompactAdapter Standard  
with data bus option

**EUTRAC® 2~**

2 Circuit ( 120V )  
Tracks and Adaptors  
[www.EUTRAC.com](http://www.EUTRAC.com)

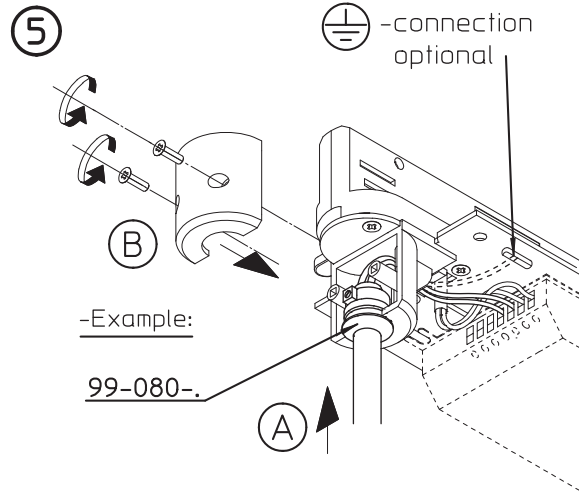
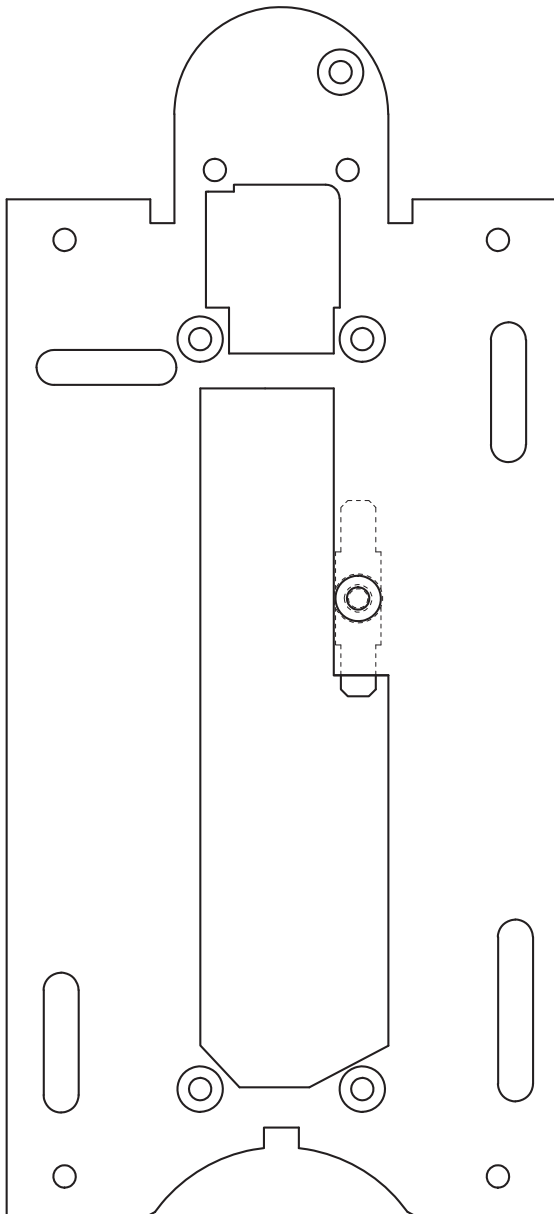


**98-505-**

-Mounting plate for different  
electronic ballasts:

**Please note :**

For selecting electronic ballasts,  
please refer to  
manufacturers' current catalogues  
and check dimensions before installing.

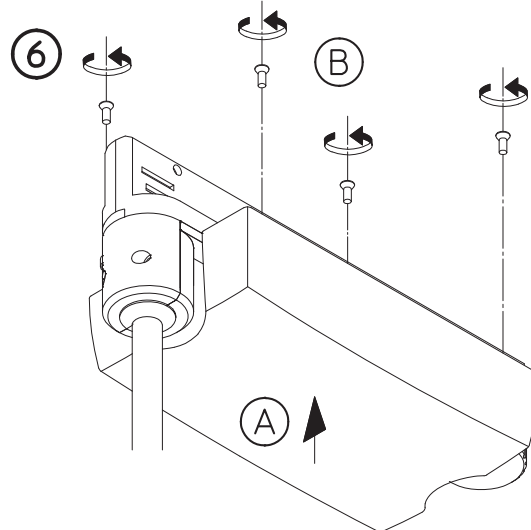


-Mechanical load capacity of adaptor:

99-080-	} 10 lbs
99-083-	
99-084-	
99-085-	
99-086-	
99-066-	

-Retaining collar see Page 5/5

- Longest pendandrod 6 inch



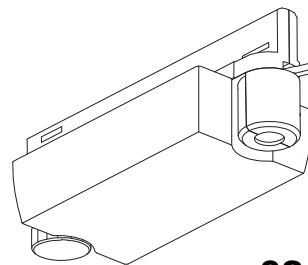
• INSTALLATION INSTRUCTIONS •

MultiCompactAdapter Standard  
with data bus option

**EUTRAC®**

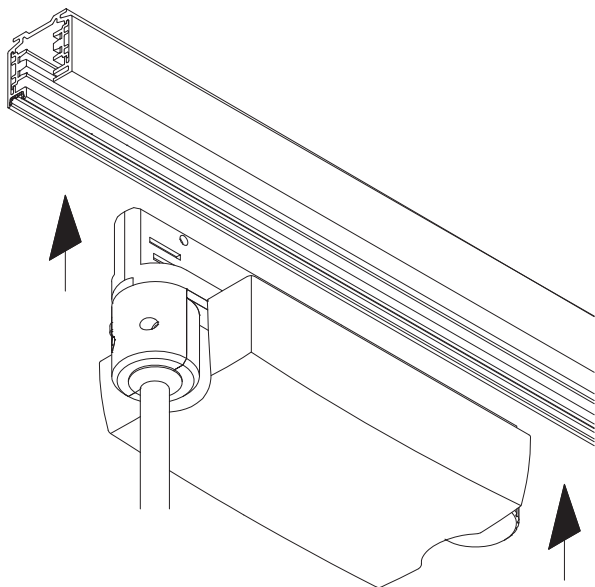
**2~**

2 Circuit ( 120V )  
Tracks and Adaptors  
[www.EUTRAC.com](http://www.EUTRAC.com)



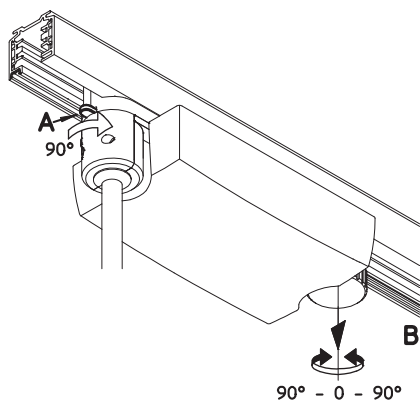
**98-505-.**

⑦



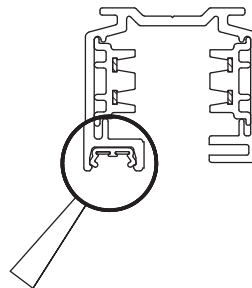
-Make sure ridge of adator aligns with groove in track.

⑦.1



-Turn knob **A** 90° clockwise to connect to track.

Turn knob **B** 90° clockwise to connect to circuit 1, and 90° anti-clockwise to connect to circuit 2.

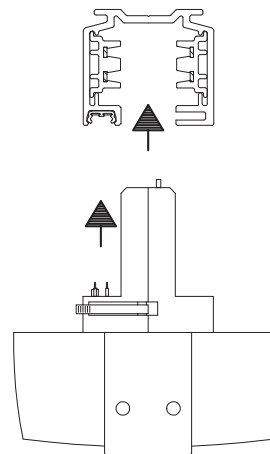


**ATTENTION:**

Data line : max. 20 V 250 mA

**Please note :**

Multi-compact adaptors 98-505- / 98-506-  
can only be mounted on EUTRAC track 230-/233-



07.09.2017

Page 4/5

# 427806

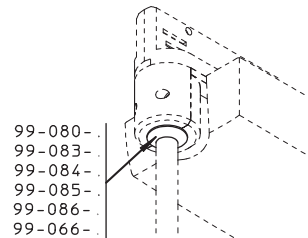
MT 6.077/1

• INSTALLATION INSTRUCTIONS •

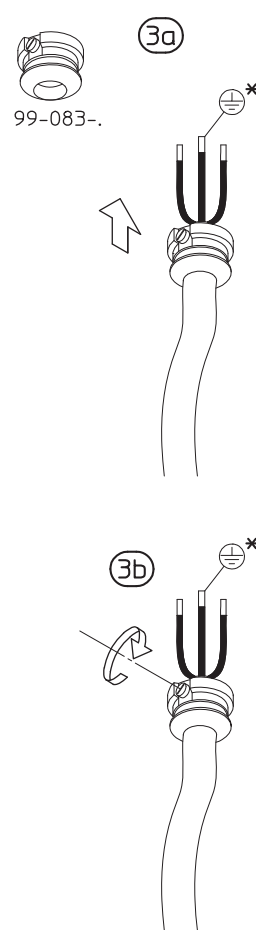
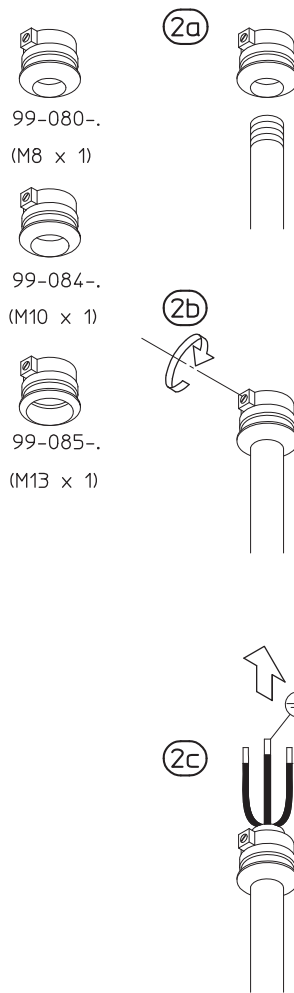
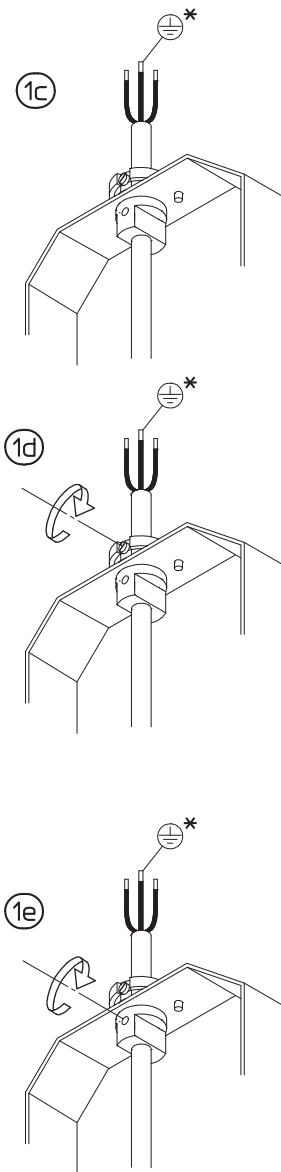
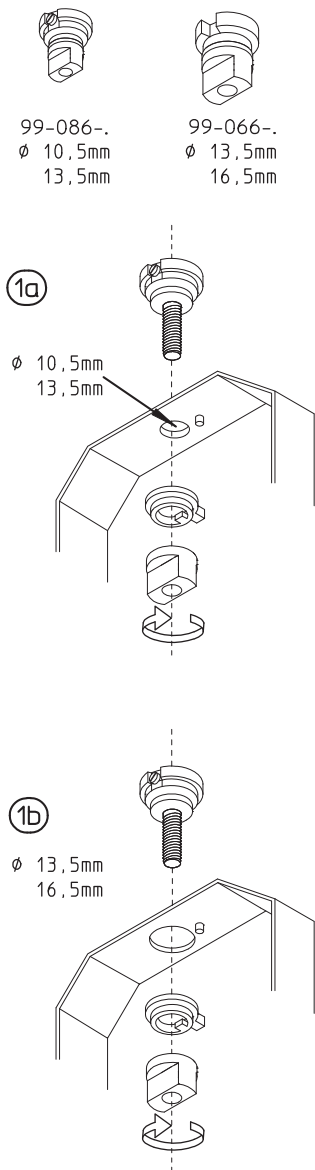
Retaining collars

**EUTRAC®** 2~

2 Circuit ( 120V )  
Tracks and Adaptors  
[www.EUTRAC.com](http://www.EUTRAC.com)



99-080-  
99-083-  
99-084-  
99-085-  
99-086-  
99-066-



\* -connect earth conductor to mounting base.