

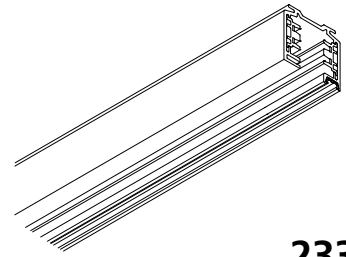
· INSTALLATION INSTRUCTIONS ·

Surface Track + Data bus
and accessories

EUTRAC®

2~

2 Circuit (120V)
Tracks and Adaptors
www.EUTRAC.com



233 ...

INSTALLATION INSTRUCTION

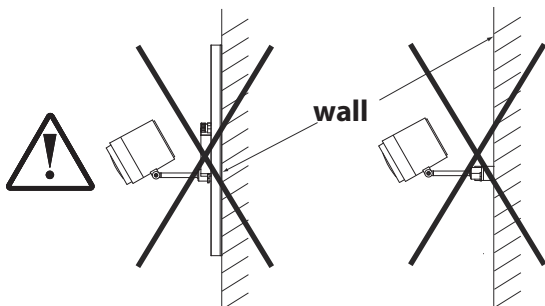
- **READ ALL OF THESE INSTALLATION INSTRUCTIONS BEFORE INSTALLING THE EUTRAC TRACK SYSTEMS.**
- **SAVE THESE INSTRUCTIONS AND REFER TO THEM WHEN ADDITIONS TO OR CHANGES IN THE TRACK CONFIGURATION ARE MADE.**
- Track is only to be used with other electrical fittings identified for use with the EUTRAC track system 233 .
- To be installed by trained personnel only (electricians).
- The Installation and operation of this track system are subject to national safety regulations.
The manufacturer is not liable for damage caused by improper use or installation.
If any track system components is subsequently modified, the person responsible for the modification shall be considered as manufacturer.
- It is the responsibility of the installer to ensure the electrical, mechanical and thermal compatibility of the track system and the fittings.
- Materials used for ceiling fixation should conform to the relevant building regulations.
- It is essential to cover the ends of the track with end covers or protective caps.
- This track system is not intended for use with a power supply cord or convenience receptable adaptor.

IMPORTANT SAFETY INSTRUCTIONS

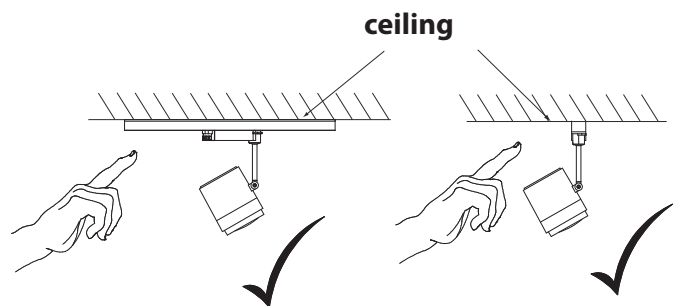
- **READ ALL INSTRUCTIONS.**
- Do not install this track in damp or wet locations (IP20 , 45°C max.).
- Do not install any part of a track system less 5 ft. above the floor.
- Do not install any fixture assembly closer than 6 in. from any curtain or similar combustible material.
- Disconnect electrical power before adding to or changing the configuration of the track.
- Do not attempt to energize anything other than lighting track fixtures on the track.
In order to reduce the risk of fire and electrical shock, do not attempt to connect power tools, extension cords, appliances and the like to the track.
- (For track lighting systems other than 277V, two circuit)
Do not connect the track to more than the branch circuit unless the track is constructed so that it can be used with more than one branch circuit.
Check with a qualified electrician. Although the track lighting system may seem to operate appropriately, a dangerous overload of the neutral may occur and result in a risk of fire.
- Do not slide light fixtures along track when re-locating.
Always remove fixture/adaptor from track.
Re-install in new location making sure to properly secured adapter back in track.
- **SAVE THESE INSTRUCTIONS.**

Essential Information

- This track system is not to be mounted on walls.



- This track system is only suitable for ceiling fixation.



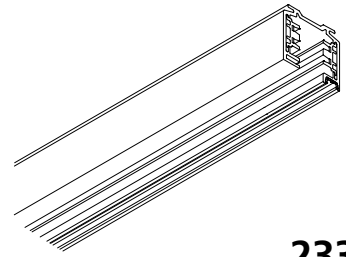
• INSTALLATION INSTRUCTIONS •

Surface Track + Data bus
and accessories

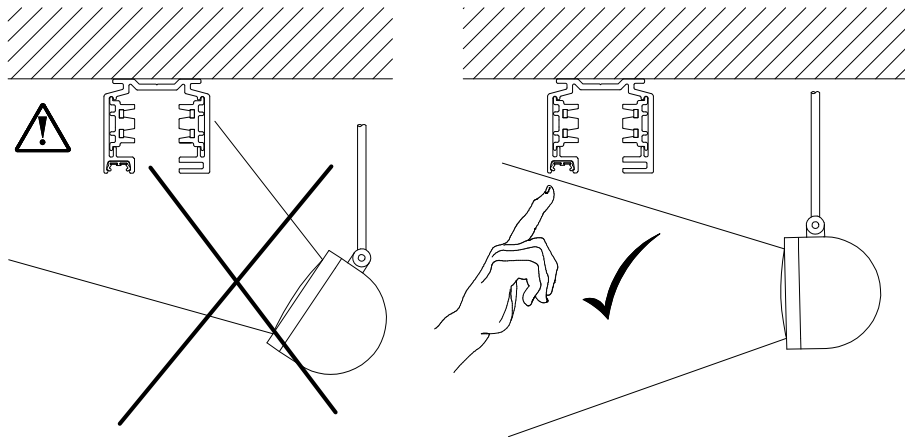
EUTRAC®

2~

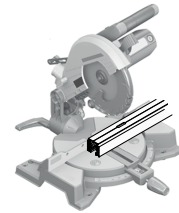
2 Circuit (120V)
Tracks and Adaptors
www.EUTRAC.com



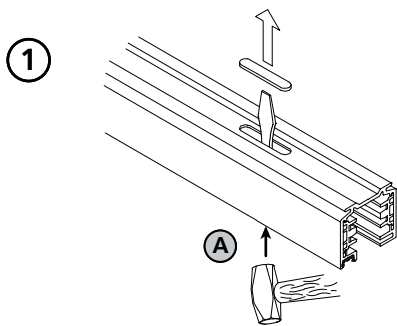
233 ...



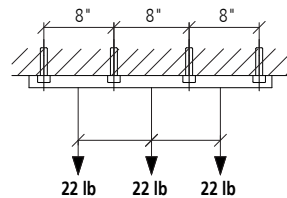
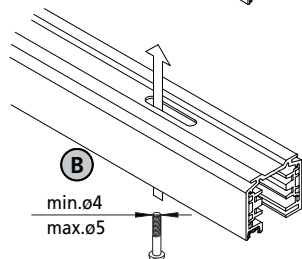
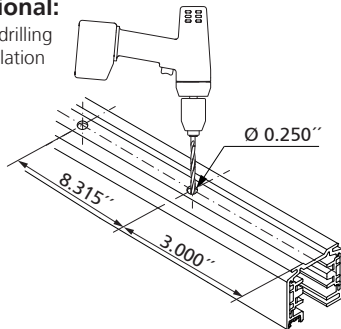
- Track can be cut in the field using a dry chop saw or miter box/hack saw making sure sides are perpendicular with each other to ensure proper fit with accessories and spliced sections of track. Track should not be cut by hand. Labeled end of track should not be cut. All ends should be deburred before assembling.



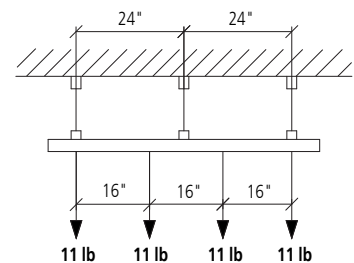
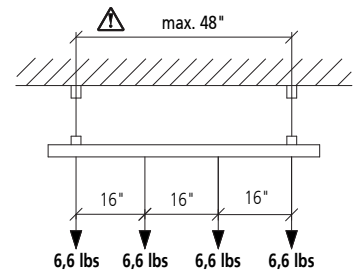
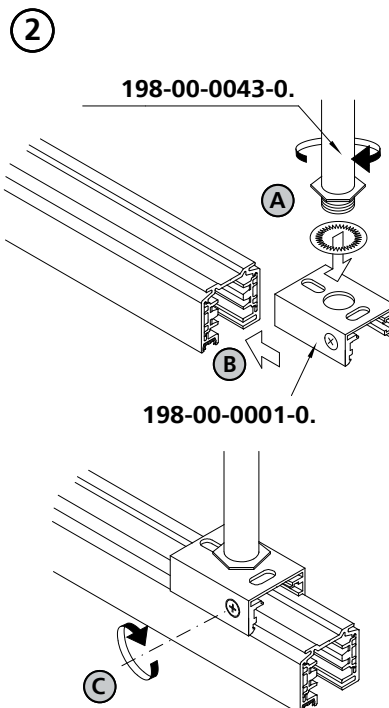
- Minimum distance that the bus bar can be cut back from the edge of the track-profile is 2 mm.
- Bus bar does not have to be moved out of the track profile.



optional:
field drilling
installation



For other load information,
please contact EUTRAC



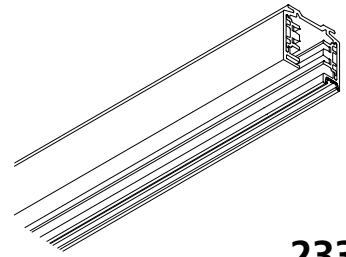
For other load information,
please contact EUTRAC

• INSTALLATION INSTRUCTIONS •

Surface Track + Data bus
and accessories

EUTRAC® 2~

2 Circuit (120V)
Tracks and Adaptors
www.EUTRAC.com

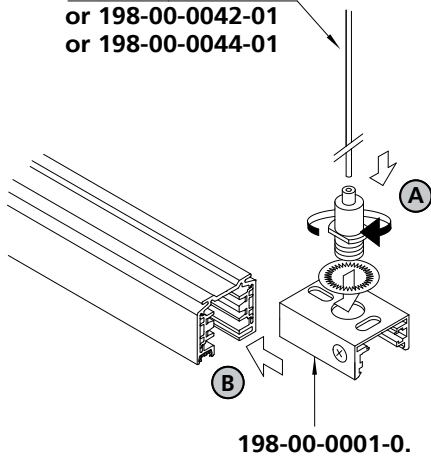


233 ...

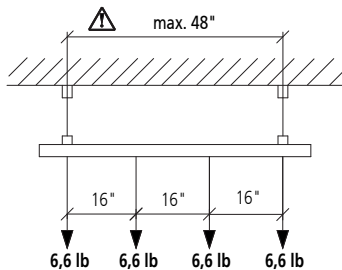
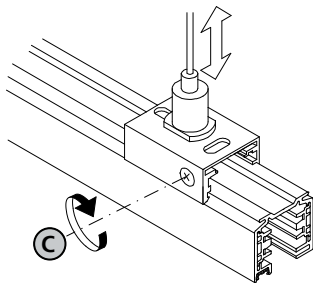
3

optional:

198-00-0041-01
or 198-00-0042-01
or 198-00-0044-01



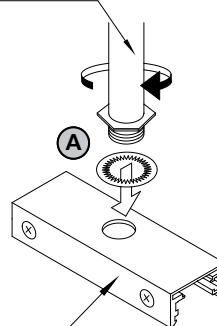
198-00-0001-0.



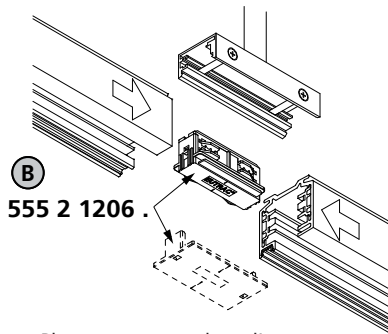
For other load information,
please contact EUTRAC

4

198-00-0043-0.

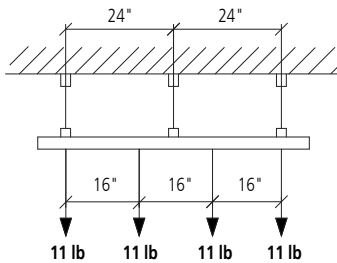
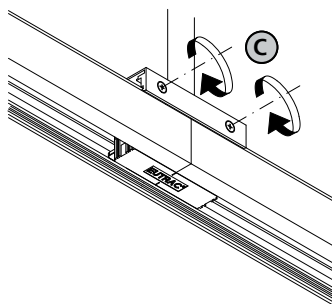


198-00-0002-0.

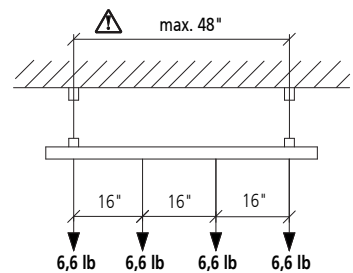
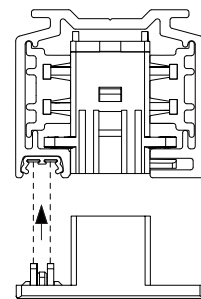
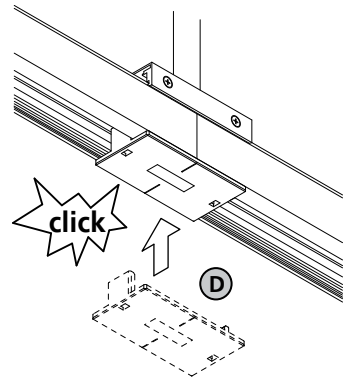


555 2 1206 .

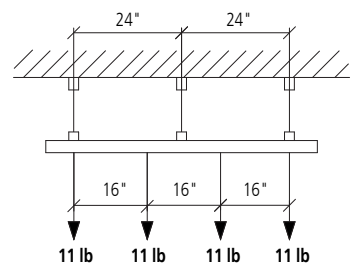
Please ensure pendant clips are
used when connecting track sections.



For other load information,
please contact EUTRAC



For other load information,
please contact EUTRAC



For other load information,
please contact EUTRAC

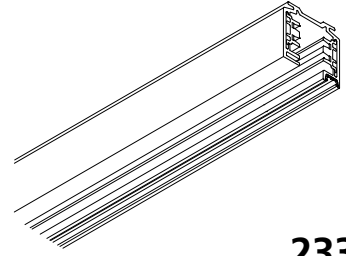
• INSTALLATION INSTRUCTIONS •

Surface Track + Data bus
and accessories

EUTRAC®

2~

2 Circuit (120V)
Tracks and Adaptors
www.EUTRAC.com

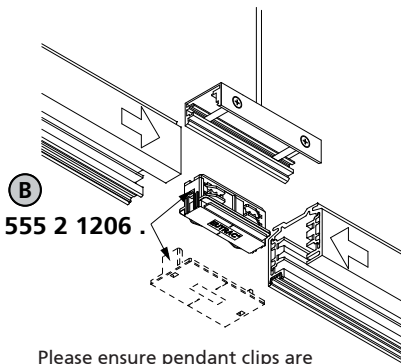
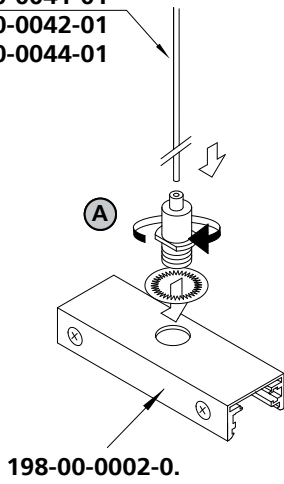


233 ...

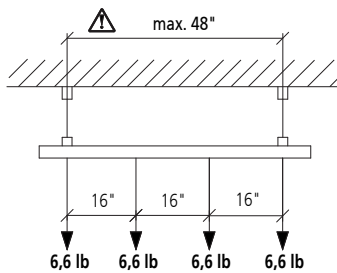
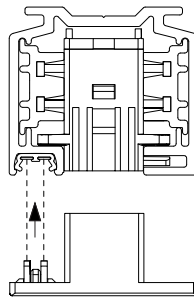
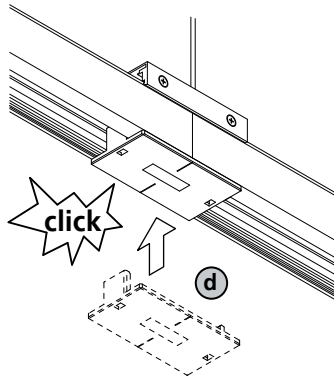
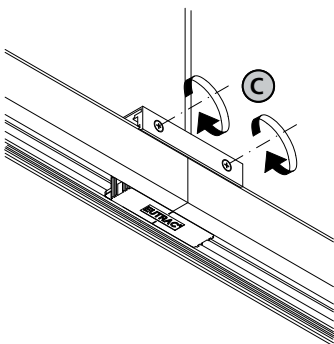
5

optional:

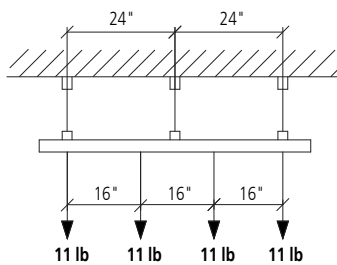
198-00-0041-01
or 198-00-0042-01
or 198-00-0044-01



Please ensure pendant clips are used when connecting track sections.



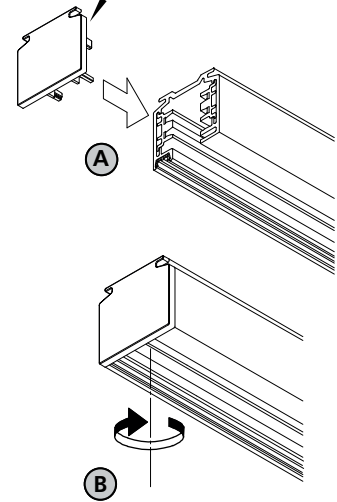
For other load information,
please contact EUTRAC



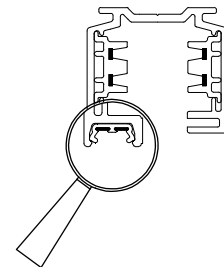
For other load information,
please contact EUTRAC

6

555 0 1217 .



Essential Information



Attention:
Data line only for protective
low voltage ~ max: 50V 2A

When mounting your EUTRAC track with data bus please observe that no loops within the data line are created ! Otherwise a failure free data bus operation can not be ensured since the quality of the data transmission may be interfered with ! If EUTRAC L- or T- couplers are required in your system, the data line connection in the respective coupler may be disconnected for avoiding loops.

