

99-067-: 2~ Mechanical Hook 99-625-: 1~ Mechanical Hook 99-284-: Universal cap for Mech Hook For use on 1~ and 2~ track

Specifications:

Mechanical universal hook is designed for suspension for shops and display areas and also suitable for pendant light fixtures. Maximum recommended wire cross section 5/64".

Load: Mechanical hook designed to maintain a maximum 22 lbs (10 kilos)



99-067-1: Mechanical Hook Base

Installation:

Hook is secured to the track by means of an adjustable threaded mechanism that has two tabs that when tightened secure to track preventing hook from moving.

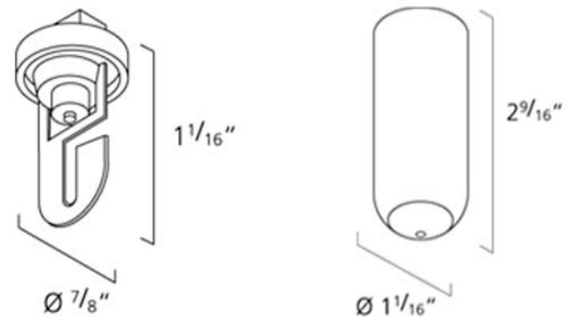


99-067-1: Secured to track

This information is subject to change without notice.



99-067-1 Hook w/ 99-284-1 Cover. Unit is shown with cap installed on base w/ cable and ferrule installed to prevent from pulling through cap hole in cap.



99-284- Line work shows hole at the end of cover that allows cable to be pulled through to support fixture.

Colors:

-1: White, -2: Black

