

98-610 Electronic MultiAdapter (LV) For 1~ , 120V (235 series)

Material: Unit is fabricated of self extinguishing polycarbonate according to class VO.

Color: -1: White, -2: Black, -3: Silver

Specifications:

Multi adapter is specifically for 1~ 120V track, with integrated ballast low voltage halogen lamps according to EN 60950 with electronic overload and short circuit protection. External dimming is possible with trailing edge phase dimmer;

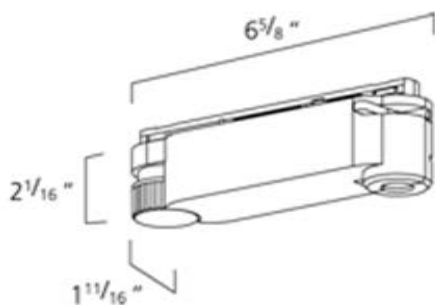
Un = 120V (50-60 Hz)

Usec = 11.6 V (SELV)

Included are screw termination clamps and nickel plated contacts. Approved for 6A inductive /6A ohmic up to 120V. With earth contact, circuit selection by turnkey switch and optional neutral position during operation.

Overall Size:

6 5/8" L x 1 11/16" W x 2 1/16" H
(170 x 43 x 52MM)



Locking Mechanism: Double locking mechanism provides positive locking method across the entire length of adapter to track. Maximum load up to 11 lbs. (5 kilos) With the

addition of retaining collar 99-066- maximum load increases to 22 lbs.(10 kilos)

This information is subject to change without notice.



Application:

The installation of the Multi adapter can be done on ceiling mounted, recessed profiles and suspended installation applications on 235 series track.

The installation of the Multi adapter can be done on ceiling mounted, recessed profiles and suspended installation applications.

Do not slide Light Fixtures along track when re-locating. Always remove fixture/adapter from track. Re-install in new location making sure to properly secure adapter back in track.

