

98-605:MultiCompact Adapter (L) Empty housing adapter w/ data bus option 1~ 120V (235 / 238 series)

Material: Housing is fabricated of self extinguishing polycarbonate according class VO. Adapter is shipped as two sub assembled parts (base / cover) equipped with a data bus option capability.

Plate: Cover secures to metal plate to provide an enclosed unit which secures to base of unit.

98-605: Base: 98-660 / Cover: 98-900

Color: -1: White, -2: Black, -3: Silver

Specifications:

Empty housing provides user the ability to install desired ballasts per application.

Overall Size:

9 3/16" L x 3 3/4" W x 2 3/8" H

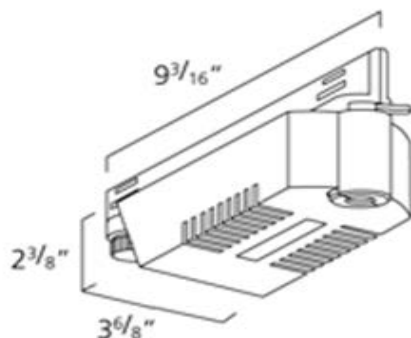
(229 x 95 x 60mm)

Housing Space Available:

5 53/64" X 3 35/64" X 1 37/64"

(148 x 90 x 60mm)

Housing permits electronic ballast for high pressure lamps, fluorescent lamps, low voltage halogen lamps as well as LEDs.



Locking Mechanism: Double locking mechanism provides positive locking method across the entire length of adapter to track. Maximum load up to 11 lbs. (5 kilos) With the

addition of retaining collar 99-066- maximum load increases to 22 lbs.(10 kilos)

This information is subject to change without notice.



Application:

The multi adapter can be installed on a track with data and not have the option of data included in the housing and still operate. No dimming capability will be transferred to the adapter without the data bus contact included.

The installation of the Multi adapter can be done on ceiling mounted, recessed profiles and suspended installation applications.



Data Bus Contact: Part 99-709-0 has a self-safety chip and gold plated spring contact pins. (DALI, DMX 0-10V or KNX protocols) This part must be ordered separately.

Do not slide Light Fixtures along track when re-locating. Always remove fixture/adapter from track. Re-install in new location making sure to properly secure adapter back in track.

