

## 98-571- Multi Adapter

2~, 277V adapter w/ & w/o data  
For use on 242 & 244 track series

### Specifications:

Adapter fabricated of self-extinguishing polycarbonate according to UL94 class VO. Highly compact low profile design provides a clean unobtrusive appearance on track. Double locking mechanisms allow for connections of heavy track lights. Internal mechanism is designed with cable terminals and nickel plated spring contacts.

Standard design is w/o data (non-dimming) but can be converted by installing Data Bus Contact 99-698-0 (ordered separate)

Adapter can be installed as is, on the 242 series track with data bus, fixture will only light, no dimming capabilities w/o data bus contact added to adapter. (99-698-0)

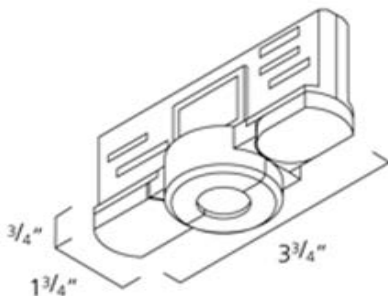
Adapter is provided with reverse polarity protection.

Ceiling mounted maximum load up to 22 lbs. when using retaining collar 99-066. (See collar options for securing to track heads)

Double mechanical locking mechanism, provide perfect track fixing when using heavier track heads.

### Colors:

-1: white, -2: Black, -3: Silver



This information is subject to change without notice.



98-571-1: Multi Adapter, 277V, white, 2~.



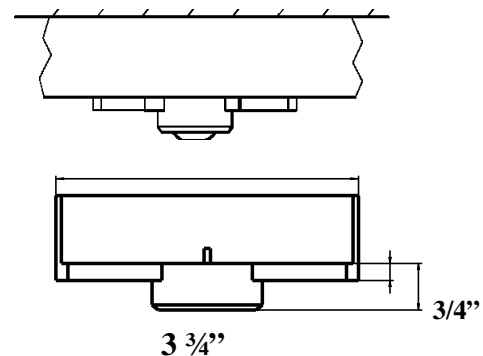
99-698-0: Data Bus Contact

### Option:

#### Data Bus Contact:

99-698-0: With SELV – safety chip and gold plated spring contact pins. (DALI, DMX 0-10V or KNX protocols) Pins make contact with 2 data bus copper contacts to transfer data.

**Contact must be ordered separate.**



### Low Profile Track:

From the face of the ceiling to the top of the adapter is 2". Adapter measures 3/4" above the track surface.

**Do not slide Light Fixtures along track when re-locating. Always remove fixture/adapter from track. Re-install in new location making sure to properly secure adapter back in track.**

