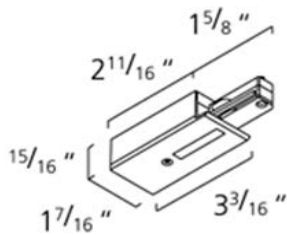


1~, 120V Track Accessories

Used on 235 / 238 series ceiling track

Color:-1: White, -2: Black, -3: Silver

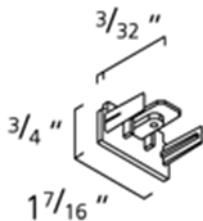


98-518: Live End Feed, earth **left w/o data**

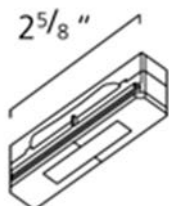
98-520: Live End Feed, earth **left w/ data**

98-519: Live End Feed, earth **right w/o data**

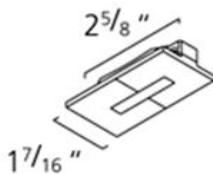
98-521: Live End Feed, earth **right w/data**



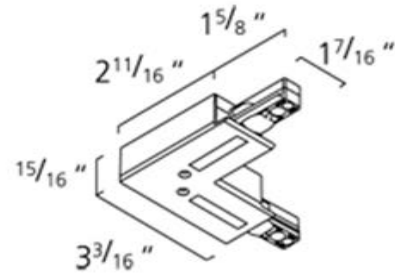
98-522: End Cap



98-539: Straight Coupler w/o Data. Used to splice track sections and carry power along track sections.



98-540: Straight Coupler w/ data. Used to splice track sections, carry power and data along track section.

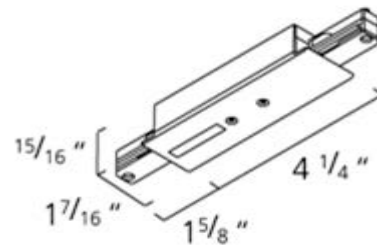


98-525: L Coupler w/feed option **outside w/o data**

98-527:LCouplerw/feed option **outside w/data**

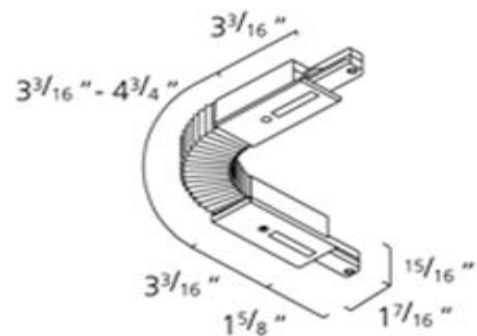
98-526:L Coupler w/feed option **inside w/o data**

98-528:L Coupler w/ feed option **inside w/data**



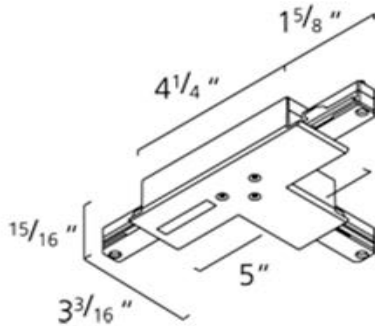
98-523: "I" Coupler with feed position

98-524: "I" Coupler **w/ data** & feed position



98-535: Flex Coupler (30-300 degree) w/ feeding option

98-536: Flex Coupler (30-300 degree) **w/ data** and feeding option

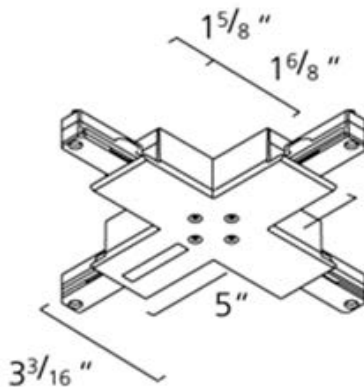


Specifications:

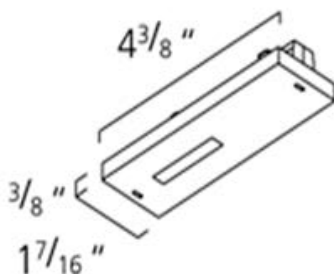
Material is fabricated of self-extinguishing polycarbonate to UL94 class VO. Low profile of unit is equal to the height profile of track series 235 / 238.

Accessories accepting power is concealed through the bottom. Live end feeds have 2 locations. (Exposed and concealed)

- 98-529: T Coupler w/ feed option **earth left**
- 98-531: T Coupler w/ feed option **earth left w/ data**
- 98-530: T Coupler w/ feed option **earth right**
- 98-532: T Coupler w/ feed option **earth right w/ data**



- 98-533: "X" Coupler w/ feed option
- 98-534: "X" Coupler w/ feed option and **data**



- 98-537: Mid Feed w/o Data
- 98-538: Mid Feed w/ Data

