

198-00-0026: Mid Feed Canopy Cover

2~, 120V Track (230, 233series)

Specifications:

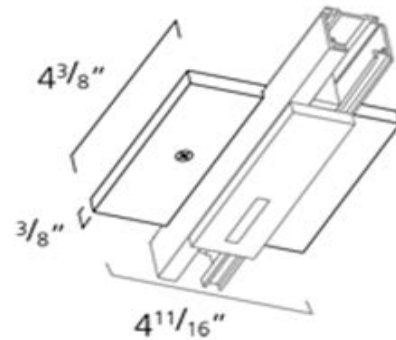
Material is fabricated of self-extinguishing polycarbonate according to UL94 class VO. A 5/8" (15.875mm) dia hole must be drilled in the center of the track at the desired location for power to enter. Unit base is equipped with a knock out made to accept power when assembled and will not be visible when properly installed. Power is brought through track and connected to mid feed. Track & Mid feed must be purchased separately.

Live End Feeds are not required with the installation of the mid feed but both ends of the track must be capped. These canopy covers will work on track w/ and w/o data.

Mid Feed Canopy Covers are available in colors to match track.

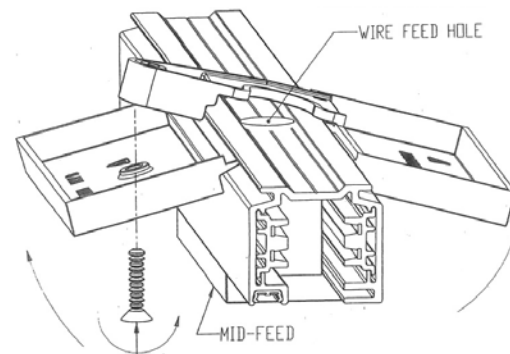
Colors:

-1: White, -2: Black, -3: Silver



Overall Size:

198-00-0026: 4 3/8" x 4 1/16" x 3/8"
(111 x 119 x 10 mm)



198-00-0026-01: 2~ 120V Mid Feed Cover with Ceiling Track & Mid Feed assembly.

This information is subject to change without notice.

