

198-00-0001-0: Pendant Clip

1~ & 2~ Clips for 120 / 277V track

Material: Clips are fabricated of extruded aluminum profiles colored to match track. Each are equipped with an encased locking hex nut and side securing mechanical point to secure clip to ceiling track.

Color: -1: White, -2: Black, -3: Silver Anodized

Securing: Pendant clip is used with steel A/C cable or 5/8" OD threaded rod. (Threaded rod and cable must be ordered separate.)

Threaded Rod: Rod is secured to clip by means of 3/8 IPS lock nut. Clip has a hex lock nut encased to secure to rod on the threaded end.

Pendant Cable: Cable kits are available in various styles that secure to clips with cable grippers.

(All suspended kits must be ordered separate one required for each clip / coupler.)

Installation: Before securing clips to track loosen but donot remove side locking fastener on suspension devices. Clips snap onto ceiling track 230, 233, 235, 238, 242, 244 series.

198-00-0001-0: 2" clip has one side securing point to track along with two mounting points that allow securing clip directly to ceiling.

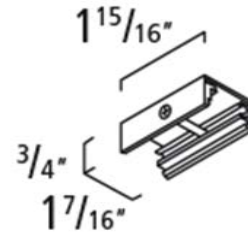
Clips Required for Track:

LENGTH	198-00-0001- 0
Single 4'	3
Single 8'	4
Single 12'	5

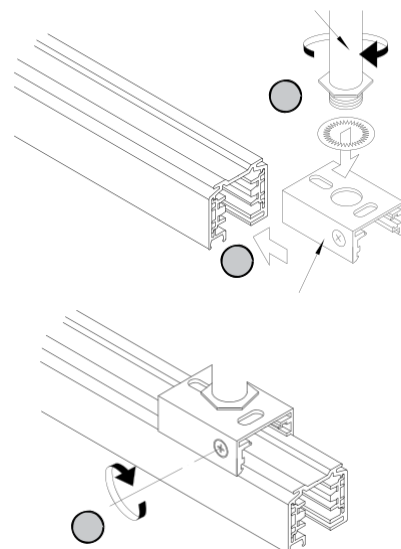
Location:

198-00-0001- 0: Clips will be located as close to the end feed and end cap as possible to provide maximum support. The remainder clips are intermediate and are located evenly throughout the length of the track.

NOTE: Not required to have pendant clip located above live end feed for support.



198-00-0001-03: Clips silver



This information is subject to change without notice.

